

20
24

IF RAILQUIP

Catalog

Products & Services

www.railquip.com



North America's Premier Railway Equipment Supplier

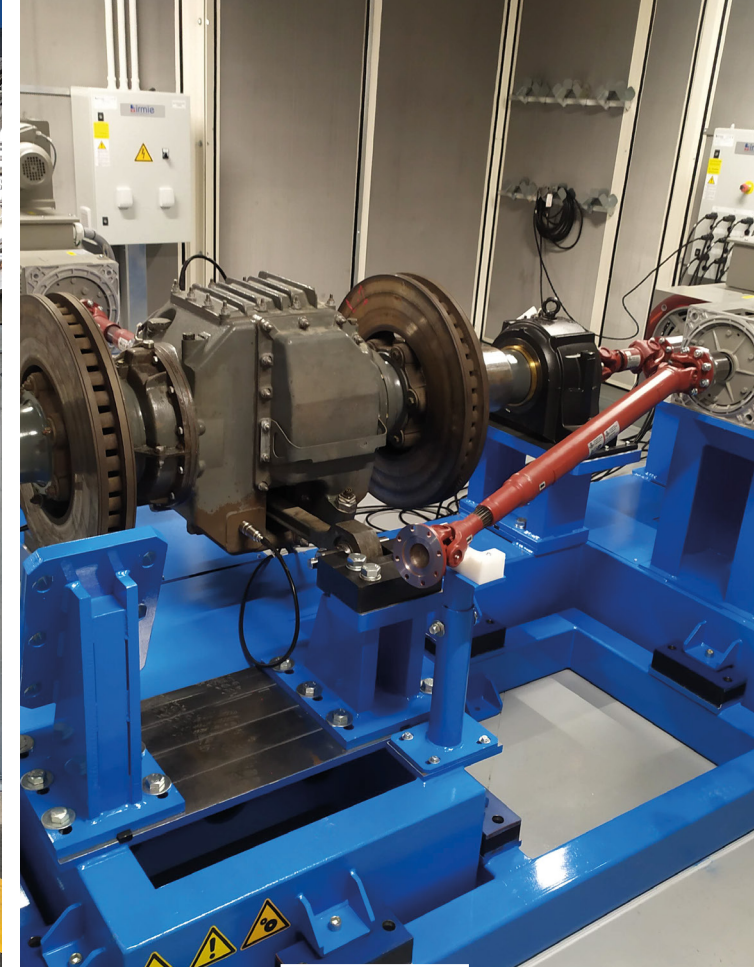
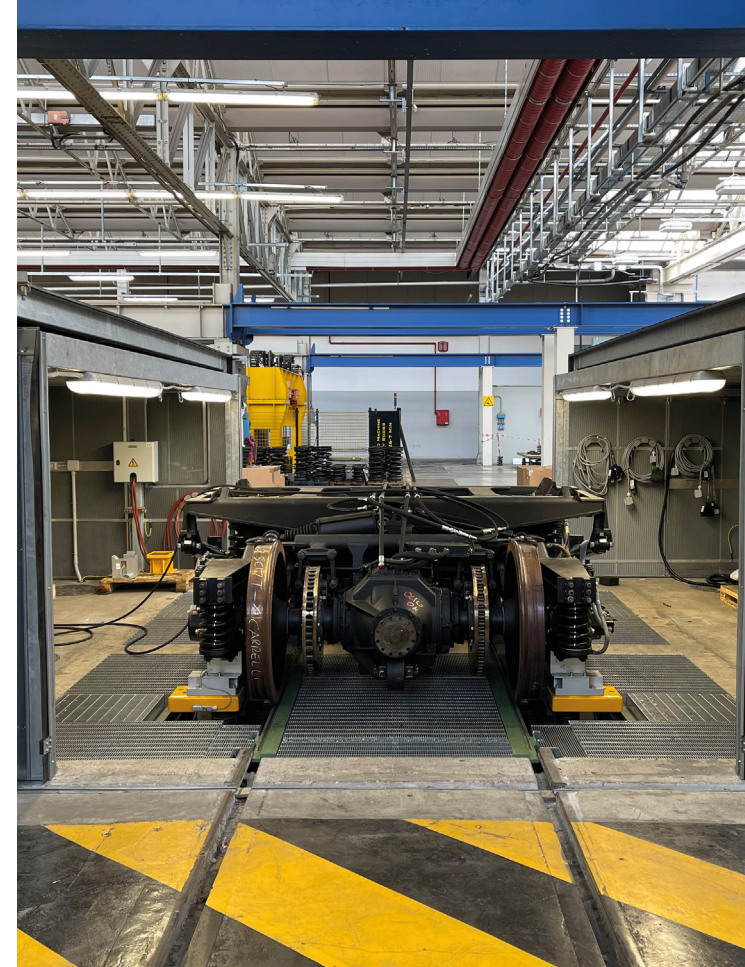
We are transportation and mobility experts. Railquip works tirelessly to provide efficient machinery and service solutions for the railway industry.

We believe in the power of rail to continue to change the future.

We connect our customers and nation's goals with more reliable, efficient, and sustainable equipment solutions.

IF RAILQUIP 40 YEARS

About us.



Testing & Assembly Equipment

Exclusive Distributor for:



- Our range includes advanced truck pressing & testing solutions, from basic presses to fully automatic stands, equipped with optional remote diagnostics for maximum efficiency.

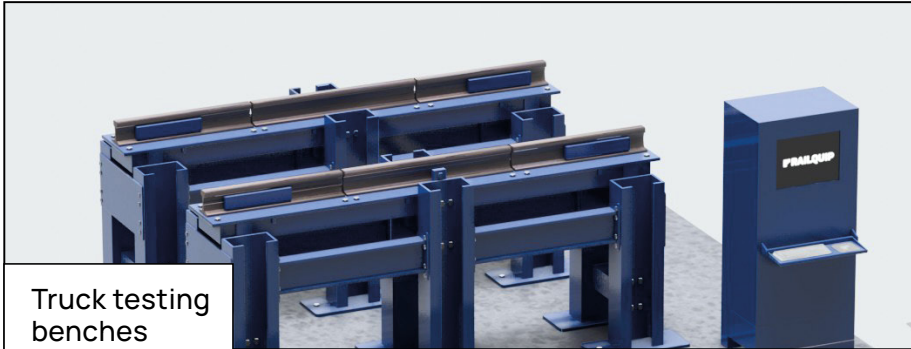


Ensure reliability, compliance, & efficiency at every stage.

Trusted by North America's leading rail & transportation companies and in partnership with global leading manufacturers, at Railquip we offer cutting-edge testing & assembly equipment in adherence to industry standards.

Our range includes advanced truck pressing and testing solutions, from basic presses to fully automatic stands, equipped with optional remote diagnostics for maximum efficiency.

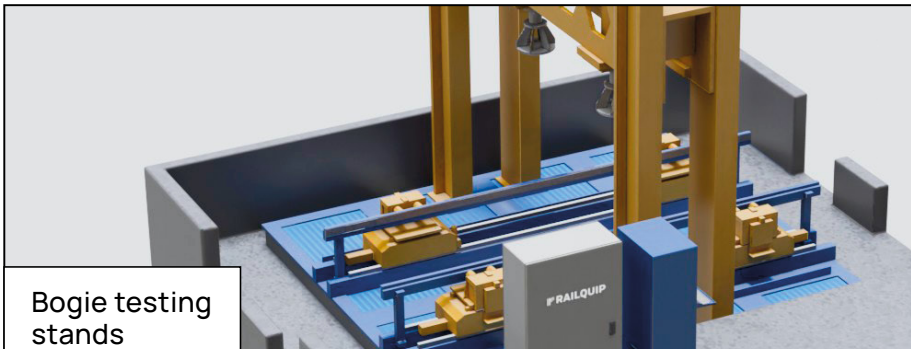
Safety is our top priority as we offer a range of high-quality equipment tailored for the railroad industry, including truck testing, brake testing, bogie testing, damper testing, spring testing, and wheelset presses. Each of our products is meticulously designed to ensure optimal performance, reliability, and seamless integration into rail operations.



Truck testing benches

Test Benches

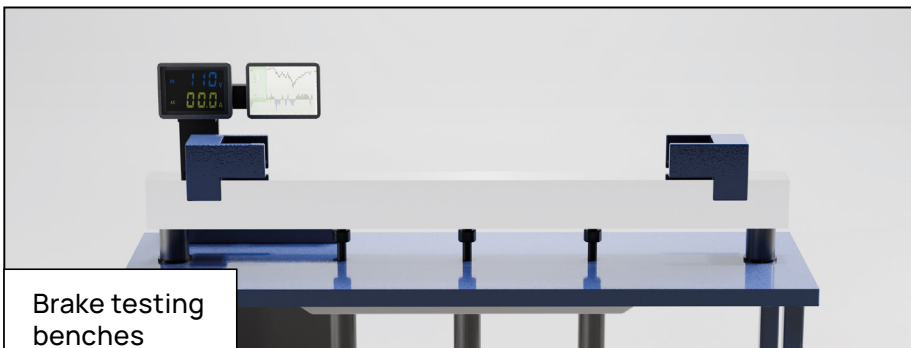
Explore our diverse range of truck pressing and testing equipment, from basic presses to fully automatic testing stands.



Bogie testing stands

Truck Testing

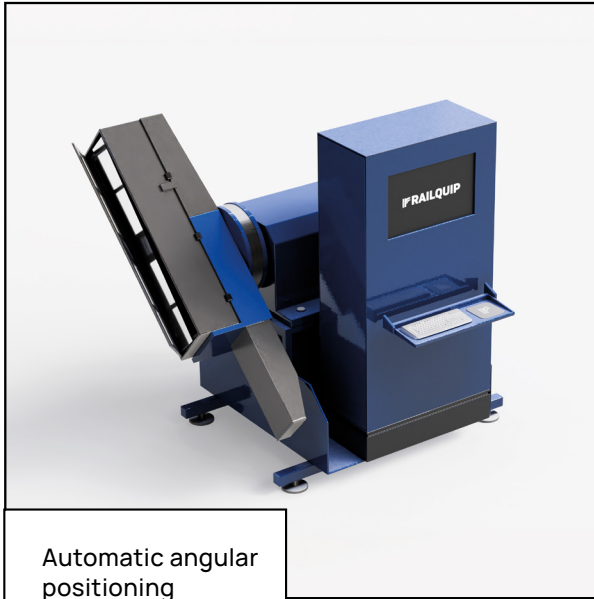
The tests carried out on our platforms cover the entire industrial process: from the production phase through to maintenance, enabling the identification of solutions aimed at ensuring absolute product quality.



Brake testing benches

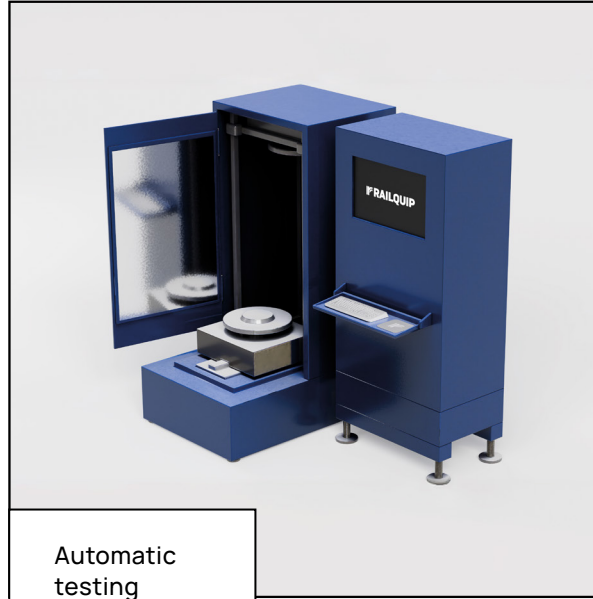
Brake Testing Equipment

Specialized equipment dedicated to precise brake testing, ensuring optimal performance and safety.



Damper testing

Uncover our expertise in damper testing, essential for maintaining optimal ride quality and performance.



Spring testing

Precision spring testing solutions to ensure the resilience and durability of critical components.



Wheelset presses

Our wheelset presses deliver the force and precision needed for efficient assembly processes.

IF RAILQUIP

Contact us directly for
detailed specifications &
our expert advice



railquip.com



(770) 458 4157



sales@railquip.com



Catalog

Products & Services

IF RAILQUIP
Keeping America Moving